

CAR-3080

SDN/NFV Solutions Platform.
Support Up To 32 GbE Ports.



- Intel Xeon D-2100 Processor (Skylake-D)
- Intel QAT Support (Crypto Acceleration)
- 4 x DDR4 ECC RDIMMs (Up to 128GB)
- 3 x CASwell Proprietary NICs
- 1 x Standard NIC (PCIe 3.0 x16)
- 2 x 10GE SFP+ Ports & 6 x GE RJ45 Ports (SR-IOV Support)

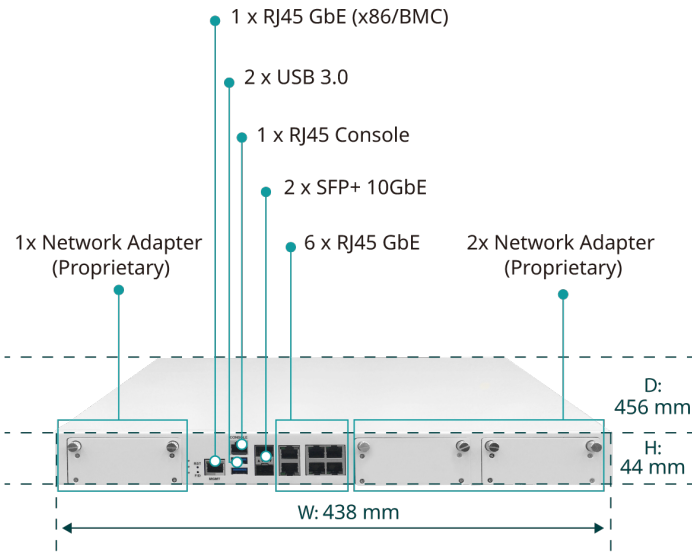
Specifications

Model Name	
Platform	
Processor	1 x Intel Xeon D Processor (Skylake)
Chipset	-
System Memory	4 x DDR4 ECC 2133MHz RDIMMs
Max Memory	Up to 128GB
Ethernet Port	6 x RJ45 GbE Port(s) on board, 2 x SFP+ 10 GbE Port(s) on board, Up to 32 x Ethernet Port(s)
Bypass	Based on CASwell NIC Module or Standard add-on card
Expansion	Up to 2 PCIe Gen3 x 8 for CASwell NIC Module, Up to 1 PCIe Gen3 x 4,4 for CASwell NIC Module, Up to 1 PCIe Gen3 x 16 for Standard NIC Module
Storage Device	2 x 2.5" SATA HDDs, 1 x M.2 Socket for SSD 2280 (SATA)
Power Supply	300W Redundant PSU or 500W Single PSU
Dimension (WxDxH)	438mm x 456mm x 44mm (17.52" x 18.24" x 1.76")
Weight (Kg)	-
I/O	
Management Console	1 x RJ45 System Console Port, 1 x RJ45 GbE Port (MGMT)
USB Port	2 x USB 3.0 Port(s)
Display Output	1 x VGA Port (Optional from LOM or VGA module)
LCD Panel	-
LED	Power / HDD / Ethernet
LOM	IPMI 2.0 w/ GbE Speed
Operation & Certifications	
Operating Environment	Temperature: 0 - 40°C (32 - 104°F), Humidity: 20 - 90% RH
Storage Environment	Temperature: -10 - 70°C (14 - 158°F), Humidity: 5 - 95% RH
Certification	CE / FCC
OS Support	Linux

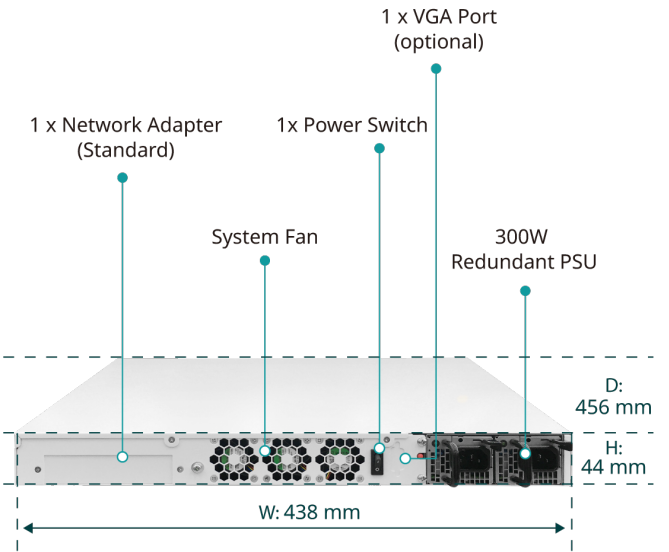
CAR-3080

SDN/NFV Solutions Platform. Support Up To 32 GbE Ports.

Front I/O



Back I/O



Ordering Information

System	
SKU	Description
CAR-3080-1	1U, 1 x Intel Xeon D, 4 x DDR4 ECC RDIMMs, 6 x RJ45 GbE, 2 x SFP+ 10GbE, 300W Redundant PSU or 500W Single PSU, 3 x NIP, 1 x STD NIC
CAR-3080-2	1U, 1 x Intel Xeon D, 4 x DDR4 ECC RDIMMs, 6 x RJ45 GbE, 2 x SFP+ 10GbE, 300W Redundant PSU or 500W Single PSU, 2 x NIP, 1 x STD NIC, 2 x 2.5" HDD/SSD

Optional CPUs			
Model	Core/Thread	Frequency (Max.)	TDP
Intel Xeon D-2123IT	4C/8T	2.20GHz (3.00GHz)	60W
Intel Xeon D-2141I	8C/16T	2.20GHz (3.00GHz)	65W
Intel Xeon D-2143IT	8C/16T	2.20GHz (3.00GHz)	65W
Intel Xeon D-2145NT	8C/16T	1.90GHz (3.00GHz)	65W
Intel Xeon D-2146NT	8C/16T	2.30GHz (3.00GHz)	80W
Intel Xeon D-2161I	12C/24T	2.20GHz (3.00GHz)	90W
Intel Xeon D-2163IT	12C/24T	2.10GHz (3.00GHz)	75W
Intel Xeon D-2166NT	12C/24T	2.00GHz (3.00GHz)	85W
Intel Xeon D-2173IT	14C/28T	1.70GHz (3.00GHz)	70W
Intel Xeon D-2183IT	16C/32T	2.20GHz (3.00GHz)	100W

Optional NICs			
Model	Type	Manufacturer	Number of Ports
NIP-51040	Ethernet	Intel 82580EB	4 x 1GbE RJ45
NIP-51081	Ethernet	Intel 82580EB	8 x 1GbE RJ45
NIP-51084	Ethernet	Intel i350 AM4	8 x 1GbE RJ45
NIP-51243	Bypass	Intel i350-AM4	4 x 1GbE RJ45
NIP-51481	Bypass	Intel i350-AM4	8 x 1GbE RJ45
NIP-51482	Bypass	Intel 82580EB	8 x 1GbE RJ45
NIP-52021	Ethernet	Intel i350-AM2	2 x 1GbE SFP
NIP-52040	Ethernet	Intel 82580DB	4 x 1GbE SFP
NIP-52041	Ethernet	Intel i350-AM4	4 x 1GbE SFP
NIP-52080	Ethernet	Intel 82580EB	8 x 1GbE SFP
NIP-52083	Ethernet	Intel i350-AM4	8 x 1GbE SFP



+866-2-7727-5788

info@cas-well.com

Design and specifications are subject to change without prior notice. | Copyright © CASwell Inc. All rights reserved.

Headquarter & R&D Center
 12F., No. 308, Jianguo 1st Road, Xinzhuang District,
 New Taipei City 242047, Taiwan

Hsinchu R&D Center
 5F., No. 32, Guangming 9th Rd., Zhubei City, Hsinchu County 302048, Taiwan



Official YouTube



Official LinkedIn



Official Website



Product Catalog